
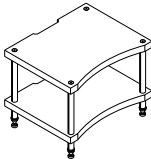
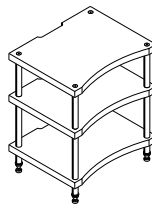
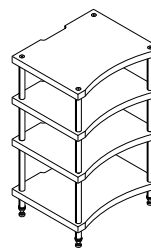
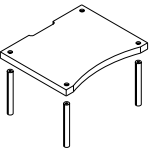
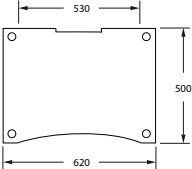

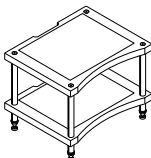
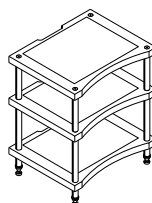
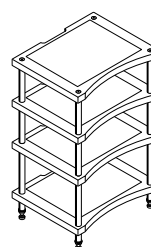
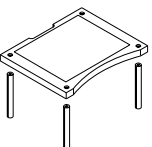
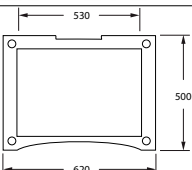



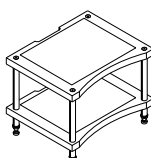
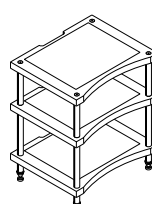
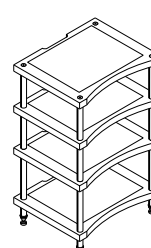
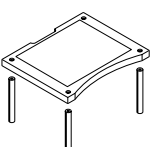
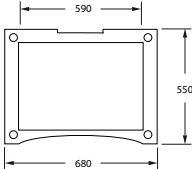


PRICE LIST 2024

Valid from 01.03.2024

Little Reference					
		1-2	1-3	1-4	additional shelf
					
		1999 €	2999 €	3999 €	1199 €
	dimension (outside)	dimension (inner)	space between shelves	load capacity per shelf	
	620 x 500 x 36 mm	530 x 500 mm	free to chose (60 - 450mm)	60 Kg	
version: Multiplex with anti-resonance filling, tubes Ø= 35mm, 4-chamber anti-resonance tube aluminium silver or black, filled and damped, cone set colours (wood): maple, white, black, cherry, customized colours possible lead time: 4 weeks					

Midi Reference					
		1-2	1-3	1-4	additional shelf
					
		2799 €	3899 €	4999 €	1499 €
	dimension (outside)	dimension (inner)	space between shelves	load capacity per shelf	
	620 x 500 x 45 mm	530 x 500 mm	free to chose (60 - 450mm)	60 Kg	
version: Handcrafted frame construction, tubes Ø= 35mm, 4-chamber anti-resonance tube aluminium silver or black, filled and damped, cone set colours (wood): maple, white, black, cherry, customized colours possible colours (glas): black, silver, white					

Big Reference					
		1-2	1-3	1-4	additional shelf
					
		3499 €	4799 €	5999 €	1799 €
	dimension (outside)	dimension (inner)	space between shelves	load capacity per shelf	
	680 x 550 x 36 mm	590 x 550 mm	free to chose (60 - 450mm)	60 Kg	
version: Handcrafted frame construction, tubes Ø= 35mm, 4-chamber anti-resonance tube aluminium silver or black, filled and damped, cone set colours (wood): maple, white, black, cherry, customized colours possible lead time: 4-6 weeks					

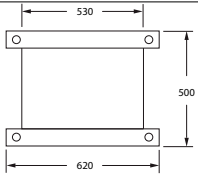
Little Reference Double

	2-2		additional shelf	
		3499 €		1899 €
	dimension (outside)	dimension (inner)	space between shelves	load capacity per shelf
	1.180 x 500 x 36 mm	2 x 520 x 500 mm	free to chose (60 - 450mm)	60 Kg
<p>version: Multiplex with anti-resonance filling, tubes Ø= 35mm, 4-chamber anti-resonance tube aluminium silver or black, filled and damped, cone set</p> <p>colours: maple, white, black, cherry, customized colours possible</p> <p>lead time: 4-6 weeks</p>				

Big Reference Double

	2-2		additional shelf	
		4999 €		2699 €
	dimension (outside)	dimension (inner)	space between shelves	load capacity per shelf
	1.300 x 550 x 36 mm	2 x 590 x 550 mm	free to chose (60 - 450mm)	60 Kg
<p>version: Handcrafted frame construction, tubes Ø= 35mm, 4-chamber anti-resonance tube aluminium silver or black, filled and damped, cone set</p> <p>colours: maple, white, black, cherry, customized colours possible</p> <p>lead time: 4-6 weeks</p>				

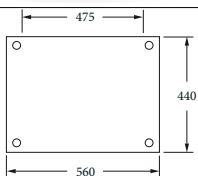
Audio 1



	1-2	1-3	1-4	additional shelf
				1 shelf incl. 4 tubes
	1099 €	1599 €	1999 €	649 €


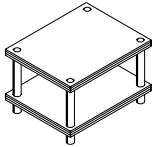
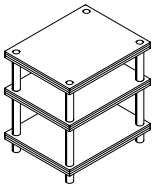
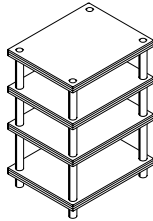
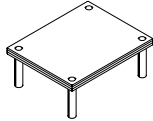
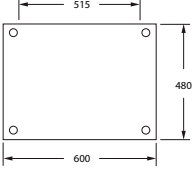
dimension (outside)	dimension (inner)	space between shelves	load capacity per shelf
620 x 500 x 29 mm	530 x 500 mm	170, 210 or 250 mm	60 Kg
version: Multiplex and solid wood with anti-resonance filling, tubes Ø= 35mm, 4-chamber anti-resonance tube aluminium silver or black, filled and damped colours: maple, white, black, cherry, customized colours possible lead time: 4-6 weeks			


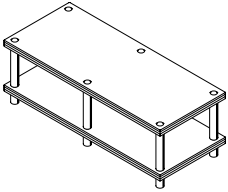
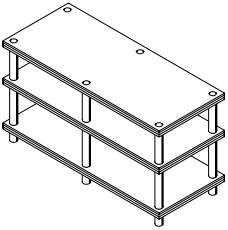
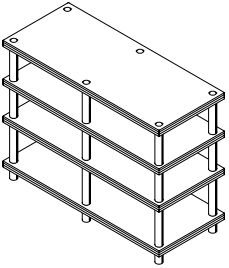
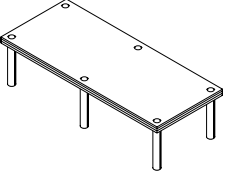
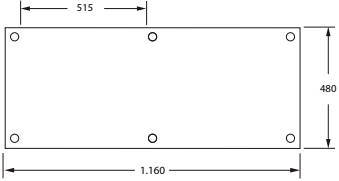
Trend 1 High Gloss


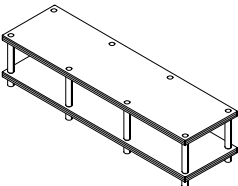
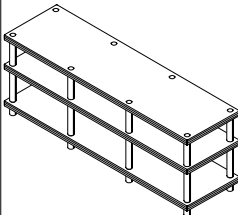
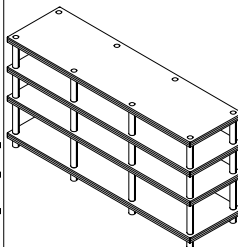
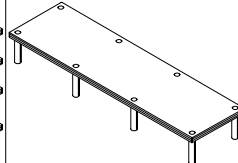
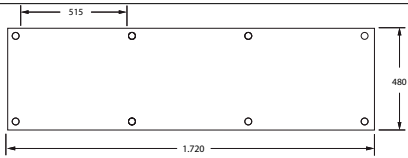


	1-2	1-3	1-4	additional shelf
				1 shelf incl. 4 tubes
	699 €	999 €	1299 €	399 €

dimension (outside)	dimension (inner)	space between shelves	load capacity per shelf
560 x 440 x 25 mm	475 x 440 mm	1. Fach 230, ab 2. Fach 160 mm	60 Kg
version: Acrylic coated shelf, tubes Ø= 35mm, 4-chamber anti-resonance tube aluminium silver or black, (filled and damped 20 % extra), adjustable feet colours: high gloss black, high gloss white			



Trend 1					
		1-2	1-3	1-4	additional shelf
					1 shelf incl. 4 tubes 
		529 €	749 €	899 €	279 €
	dimension (outside)	dimension (inner)	space between shelves	load capacity per shelf	
	600 x 480 x 28 mm	515 x 480 mm	1. Fach 250, ab 2. Fach 170 mm	60 Kg	
version: melamine coated, tubes $\varnothing=35\text{mm}$, 4-chamber anti-resonance tube aluminium silver or black, (filled and damped 20 % extra), adjustable feet colours: maple, cherry, wenge/walnut, black, white, grey					


Trend 2					
		2-2	2-3	2-4	additional shelf
					1 shelf incl. 6 tubes 
		759 €	1099 €	1399 €	429 €
	dimension (outside)	dimension (inner)	space between shelves	load capacity per shelf	
	1.160 x 480 x 28 mm	2 x 515 x 480 mm	1. Fach 250, ab 2. Fach 170 mm	60 Kg	
version: melamine coated, tubes $\varnothing=35\text{mm}$, 4-chamber anti-resonance tube aluminium silver or black, (filled and damped 20 % extra), adjustable feet colours: maple, cherry, wenge/walnut, black, white, grey					

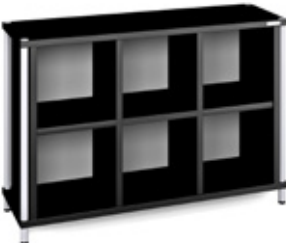


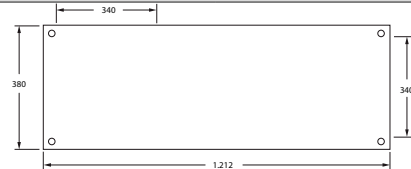
Trend 3					
		3-2	3-3	3-4	additional shelf
					1 shelf incl. 8 tubes 
		1199 €	1599 €	1999 €	699 €
	dimension (outside)	dimension (inner)	space between shelves	load capacity per shelf	
	1.720 x 480 x 28 mm	3 x 515 x 480 mm	1. Fach 250, ab 2. Fach 170 mm	60 Kg	
version: melamine coated, tubes $\varnothing=35\text{mm}$, 4-chamber anti-resonance tube aluminium silver or black, (filled and damped 20 % extra), adjustable feet colours: maple, cherry, wenge/walnut, black, white, grey shipping: Pallet shipping					

adjustable cones		adjustable feet		castors	
					
silver or black Ø 35 mm, knurled screw for adjustment		black Ø 35 mm		black or grey Suitable for our tubes Up to 75kg each	
Set of 4	129 €	Set of 4	39 €	Set of 4	109 €
Set of 6	169 €	Set of 6	49 €	Set of 6	149 €


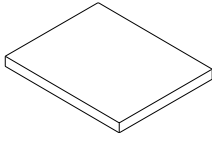
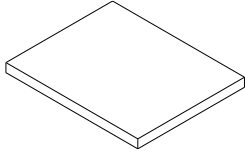
CREAKTIV extension tubes for existing CREAKTIV racks

Standard sizes					
	length	Ausführung		UVP	
	60 mm silver or black	unfilled		15 €	
		ci ² p filled and damped		19 €	
	170 mm silver or black	unfilled		19 €	
		ci ² p filled and damped		25 €	
	210 mm silver or black	unfilled		25 €	
		ci ² p filled and damped		32 €	
	250 mm silver or black	unfilled		30 €	
		ci ² p filled and damped		39 €	
	Custom tubes				
		length	Ausführung		UVP
		60 - 200 mm silver or black	unfilled		25 €
ci ² p filled and damped				32 €	
201 - 300 mm silver or black		unfilled		35 €	
		ci ² p filled and damped		45 €	
301 - 400 mm silver or black		unfilled		45 €	
	ci ² p filled and damped		55 €		


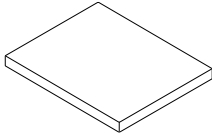
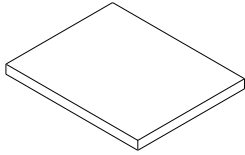
2-2	2-4	additional shelf
		
<p align="center">899 €</p>	<p align="center">1199 €</p>	<p align="center">799 €</p>
<p>Aussenmaß : 845 x 380 x 832 mm Innenmaß je Fach : 340 x 340 x 355 mm Belastbarkeit : 60 Kg je Ebene</p>	<p>Aussenmaß : 845 x 380 x 1.567 mm Innenmaß je Fach : 340 x 340 x 355 mm Belastbarkeit : 60 Kg je Ebene</p>	<p>Aussenmaß : 845 x 380 x 735 mm Innenmaß je Fach : 340 x 340 x 355 mm Belastbarkeit : 60 Kg je Ebene</p>
<p>version: Melamin beschichtet, Rohre Ø= 30mm, 4-Kammer-Anti-Resonanzrohr Alu silber oder schwarz, (gefüllt, und gedämpft 20 % Aufpreis), Bodenstellfüße. colours: Melamin natur, wenge, schwarz, weiss, grau lead time: 4-6 weeks</p>		

3-2	3-4	additional shelf
		
<p align="center">999 €</p>	<p align="center">1499 €</p>	<p align="center">899 €</p>
<p>Aussenmaß : 1.212 x 380 x 832 mm Innenmaß je Fach : 340 x 340 x 355 mm Belastbarkeit : 60 Kg je Ebene</p>	<p>Aussenmaß : 1.212 x 380 x 1.567 mm Innenmaß je Fach : 340 x 340 x 355 mm Belastbarkeit : 60 Kg je Ebene</p>	<p>Aussenmaß : 1.212 x 380 x 735 mm Innenmaß je Fach : 340 x 340 x 355 mm Belastbarkeit : 60 Kg je Ebene</p>
<p>version: Melamin beschichtet, Rohre Ø= 30mm, 4-Kammer-Anti-Resonanzrohr Alu silber oder schwarz, (gefüllt und gedämpft 20 % Aufpreis), Bodenstellfüße. colours: Melamin natur, wenge, schwarz, weiss, grau lead time: 4-6 weeks</p>		

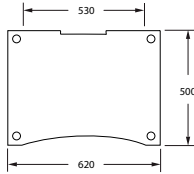
Multiplex absorber - also be used as amp base

	440 x 400 x 36 mm	500 x 480 x 36 mm	
			
	549 €	599 €	
<p>version: Ebene Multiplex, inklusive Spike-Set mit Unterlegscheiben colours: natur, schwarz und weiß</p>			

Sound Control absorber

	440 x 400 x 20 mm	500 x 480 x 20 mm	
			
	289 €	329 €	
<p>colours: schwarz, grau, weiß Sondermaße und -farben auf Anfrage</p>			

Little Reference amp base



Aussenmaß : 620 x 500 x 36 mm

Nutzfläche : 620 x 500 mm

Gesamthöhe : 106 mm

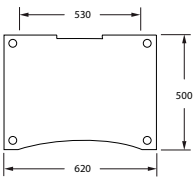
Belastbarkeit : 60 Kg

version: Ebene Multiplex,
Rohre Ø= 35mm, 4-Kammer-Anti-Resonanzrohr Alu silber oder
schwarz, mit ci²p-Technologie gefüllt und gedämpft,
inklusive Bodenkegelset

colours: natur, weiss, schwarz, kirsch
Weitere Farben (25% Aufpreis)

1299 €

Midi Reference amp base



Aussenmaß : 620 x 500 x 45 mm

Nutzfläche : 620 x 500 mm

Gesamthöhe : 116 mm

Belastbarkeit : 60 Kg

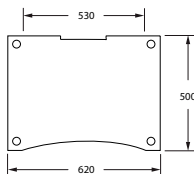
version: Handgefertigter Vollholz-Rahmen mit Glasplatte,
Rohre Ø= 35mm, 4-Kammer-Anti-Resonanzrohr Alu silber oder
schwarz, mit ci²p-Technologie gefüllt und gedämpft,
inklusive Bodenkegelset

: Glasscheibe schwarz, weiss oder silber

colours: natur, weiss, schwarz, kirsch
Weitere Farben (25% Aufpreis)

1599 €

Big Reference amp base



Aussenmaß : 680 x 550 x 45 mm

Nutzfläche : 680 x 550 mm

Gesamthöhe : 116 mm

Belastbarkeit : 60 Kg

version: Handgefertigter Vollholz-Rahmen mit Glasplatte,
Rohre Ø= 35mm, 4-Kammer-Anti-Resonanzrohr Alu silber oder
schwarz, mit ci²p-Technologie gefüllt und gedämpft,
inklusive Bodenkegelset

: Glasscheibe schwarz, weiss oder silber

colours: natur, weiss, schwarz, kirsch
Weitere Farben (25% Aufpreis)

1899 €

Audio Selection creaktiv GmbH
Drieschweg 9 - 53604 Bad Honnef
T: +49 2224 94 99 30 - E: mail@creaktiv-hifi.com
www.creaktiv-hifi.com