



catrax *fit*



design
security
flexibility

digicon
beyond **technology.**

The Catrax Fit turnstile is the best option for projects where price, quality and aesthetics are the biggest concern. The Catrax Fit is designed for almost any project and budget. This newly launched product completes Digicon's line of turnstiles offering the market a robust, reliable, versatile and attractive product at a very competitive price.



The Catrax Fit line maintains many of the characteristics of other Catrax family products: exceptionally robust bidirectional electromechanical mechanism, high impact plastic top cover and a variety of options.

LONGER ARM

The Catrax Fit is specially designed with longer arms in a compact design. Available with a passage width of 17,5 in (444 mm) or optionally 22,3 in (567 mm).

EASILY MOUNTED AND MAINTAINED

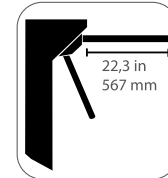
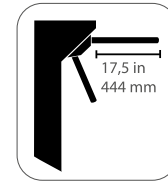
The Catrax Fit turnstile comes with a U-shaped mounting drawer that can be easily removed or replaced on the rear top panel by a key lock, thus facilitating the assembly and maintenance of electronic components.

RELIABILITY AND SAFETY

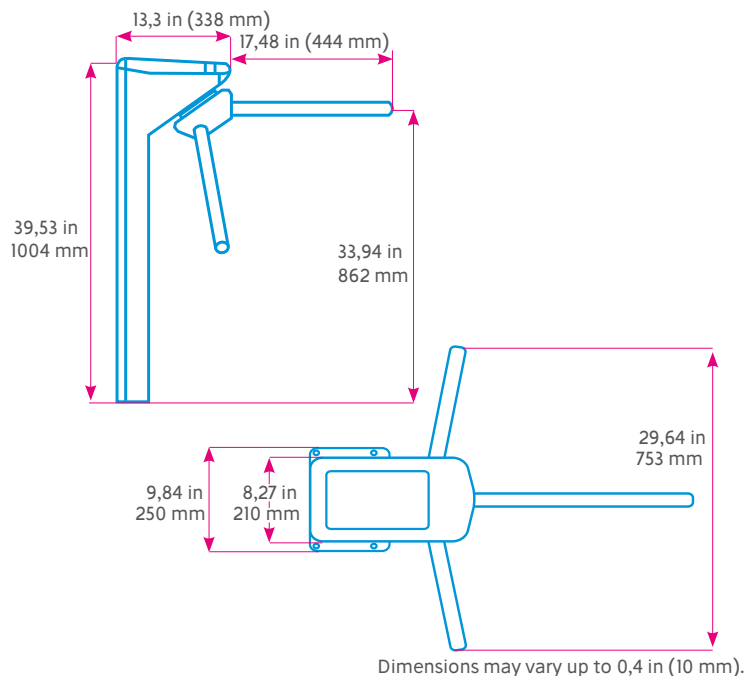
Optical sensors and electromagnets are used to activate locks, thus preventing mechanical wear and increasing equipment life.

ANTI-PANIC, DROP ARM SYSTEM:

The arm drops automatically leaving the passage free in case of an emergency.



DIMENSIONS



GERAN
physical access control products

Butaanstraat 23
7463 PG Rijssen
P: +31(0)548-543000
www.geran-access.com

digicon
beyond technology.



+55 51 3489 8793
www.digicon.com.br
/digicontecnologia
/company/digicon-international

www.digicon.com.br/en
Rua Nissin Castiel, 640 · Gravataí · RS
Zip Code 94045-420 · (51) 3489 8900